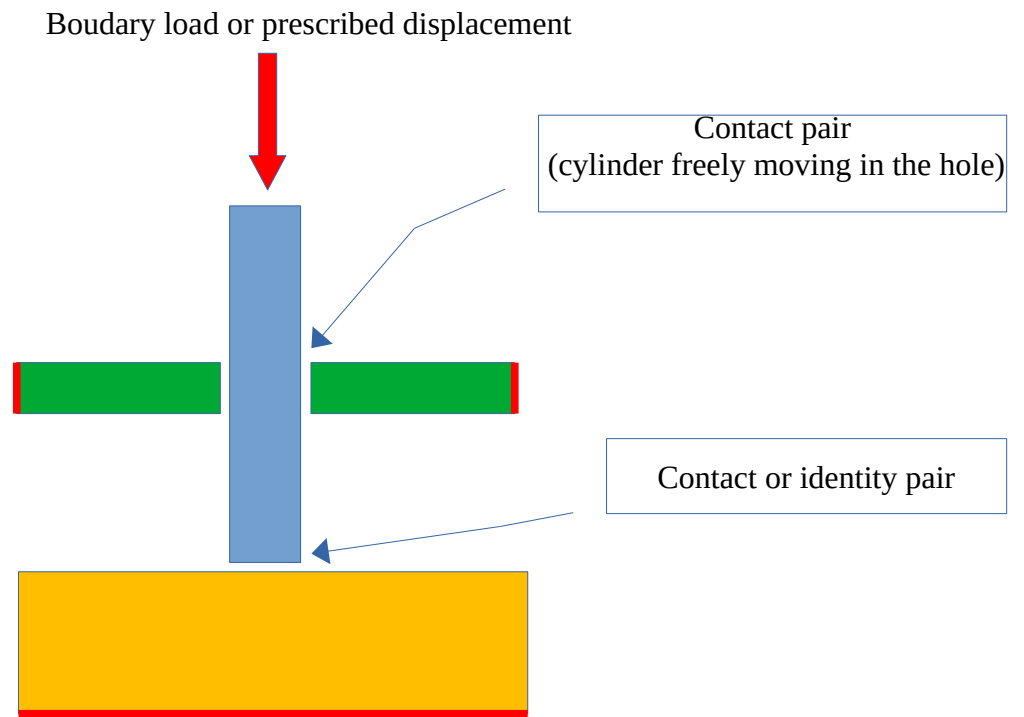
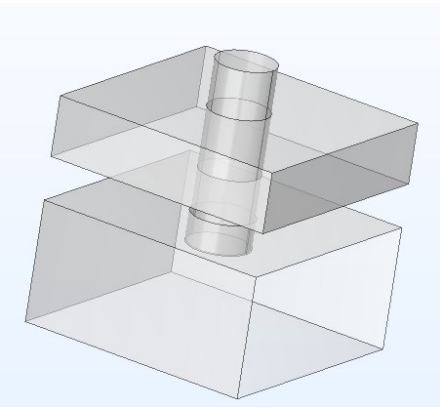
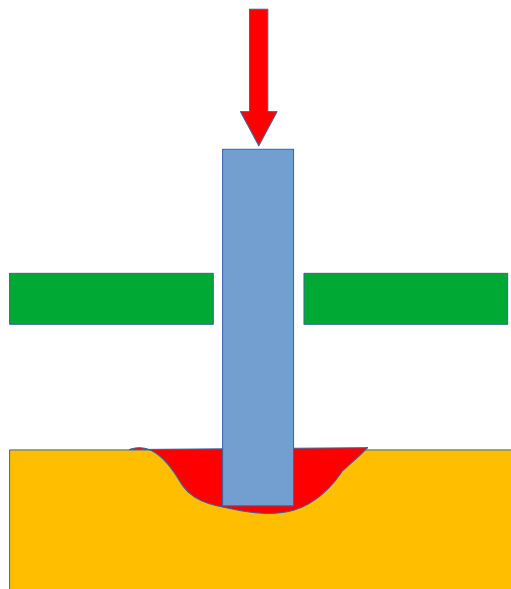


Step 1

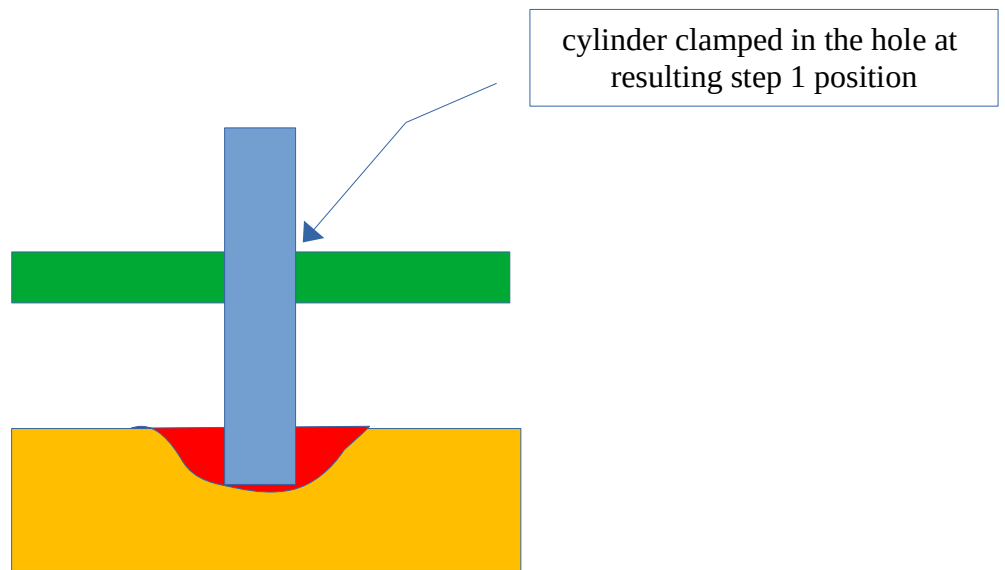


The square blocks are fixed on red lines.

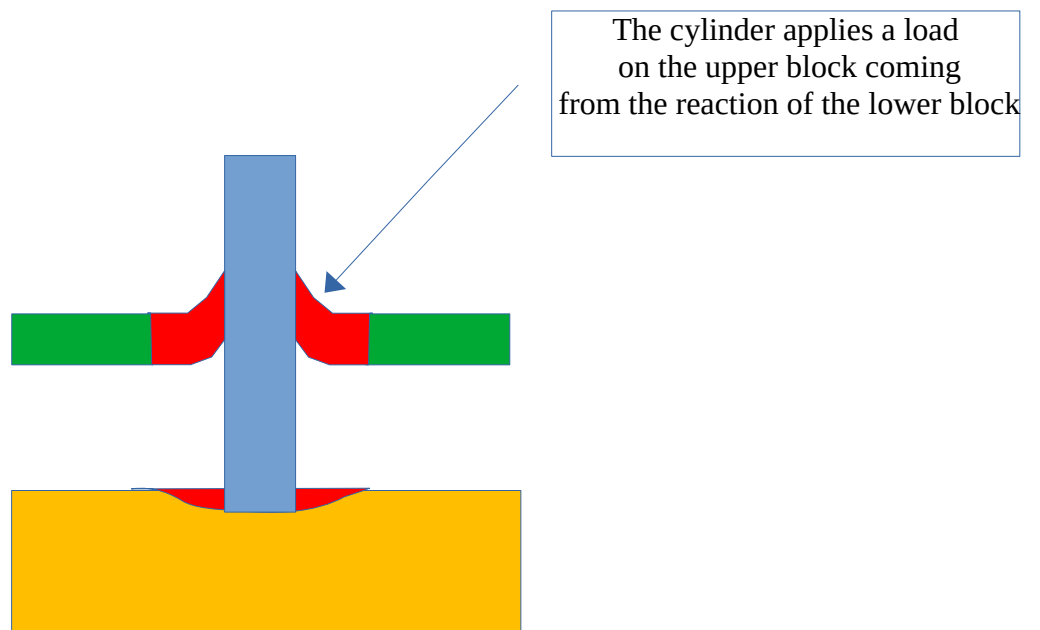
Result 1:



Step 2



Awaited result :



Step 2