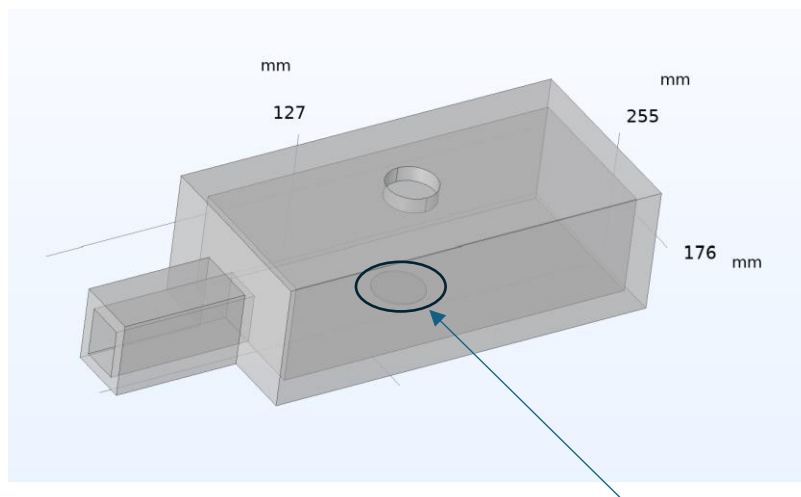


Laser illuminated from top of the well

A micro unit in a cubic shaped small well



Gold layer which needs to be heated using laser power

A micro sized unit, that has a gold layer inside its body is submerged in a microfluidic well. The fluid domain is represented by the cuboid object in above images. The gold layer inside the microunit needed to be heated using a laser beam. Outside boundaries of the cuboid are open to outside environment and heat dissipation would happen through these boundaries too.